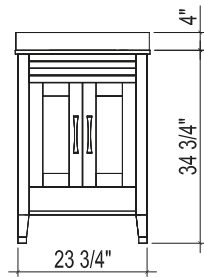
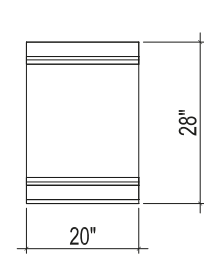
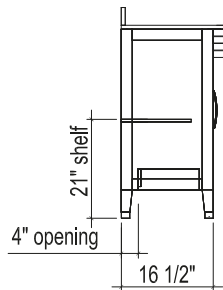


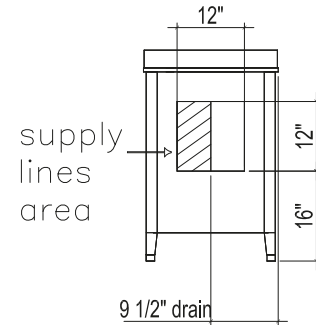
Roughing-In Dimensions / Mesures Relatives aux Points de Raccordement / Medidas Aproximadas



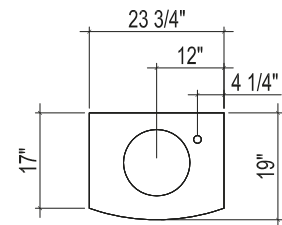
1
4 Front View



2
4 Left Elevation



3
4 Rear Elevation



4
4 Plan View

Note: Height may vary depending on material of top

Note: La hauteur peut varier en fonction du matériau du top

Nota: La altura puede variar dependiendo del material de los mejores



USA & CANADA

Recommended Accessories / Accessoires Recommandés / Accesorios Recomendados

- MCG 18 - MC 19 - SS 12 - Recline short faucet - Bamboo faucet
- SS8 - AJ linen - Classic faucet - Robo faucet - Curviz short faucet

STEP #1

- With assistance, place vanity (A) in desired location and level.
- It is recommended to locate at least one wall stud within area where vanity (A) is to be installed. Pre-drill holes through wall studs. Using wood screws, fasten vanity to wall stud.
- NOTE: Wood screws are not provided! Refer to Figure #1.