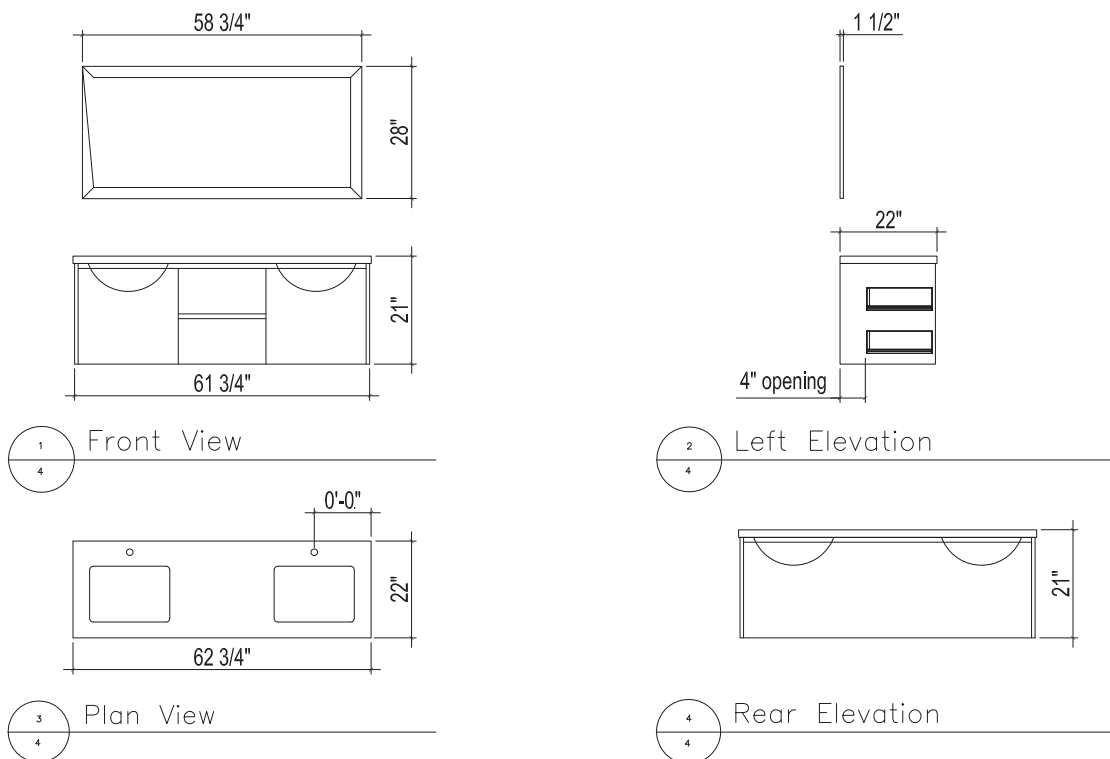


## Roughing-In Dimensions / Mesures Relatives aux Points de Raccordement / Medidas Aproximadas



## Recommended Accessories / Accessoires Recommandés / Accesorios Recomendados

- MCPU 8
- Robo faucet
- Recline short faucet
- Curviz short faucet
- Bamboo faucet

### STEP #1

- A. With assistance, place mounting bracket (M) in desired location and level it.
- A. It is recommended to locate at least 2 wall studs within area where mounting bracket (M) is to be installed. Pre-drill holes through wall studs. Using wood screws, fasten (M) to wall stud.
- B. Hang vanity on the mounting bracket and level.
- C. Securely mount the cabinet to the wall by screwing through the cabinet to the bracket.
- NOTE: Wood screws are not provided! Refer to Figure #1.