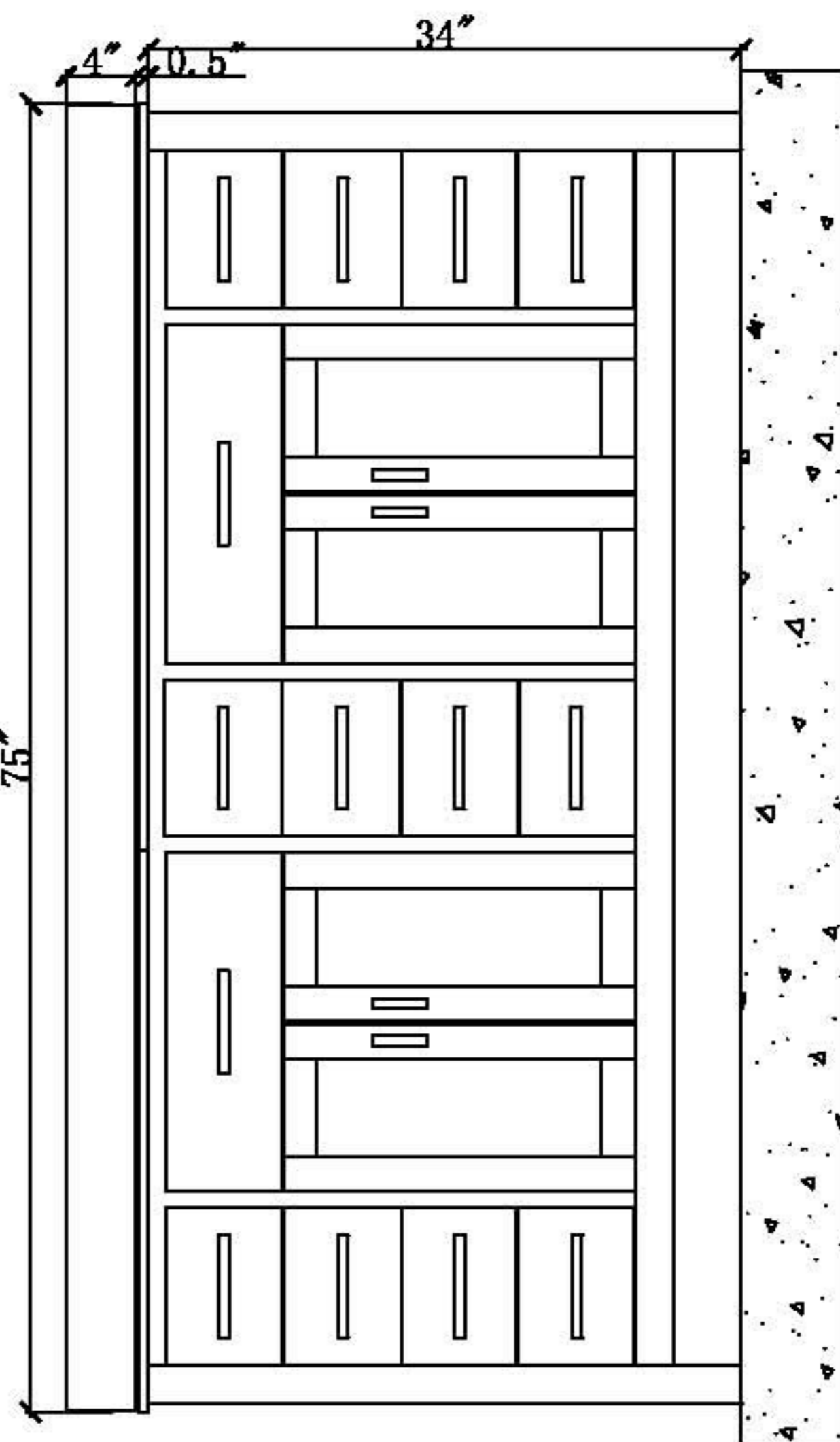
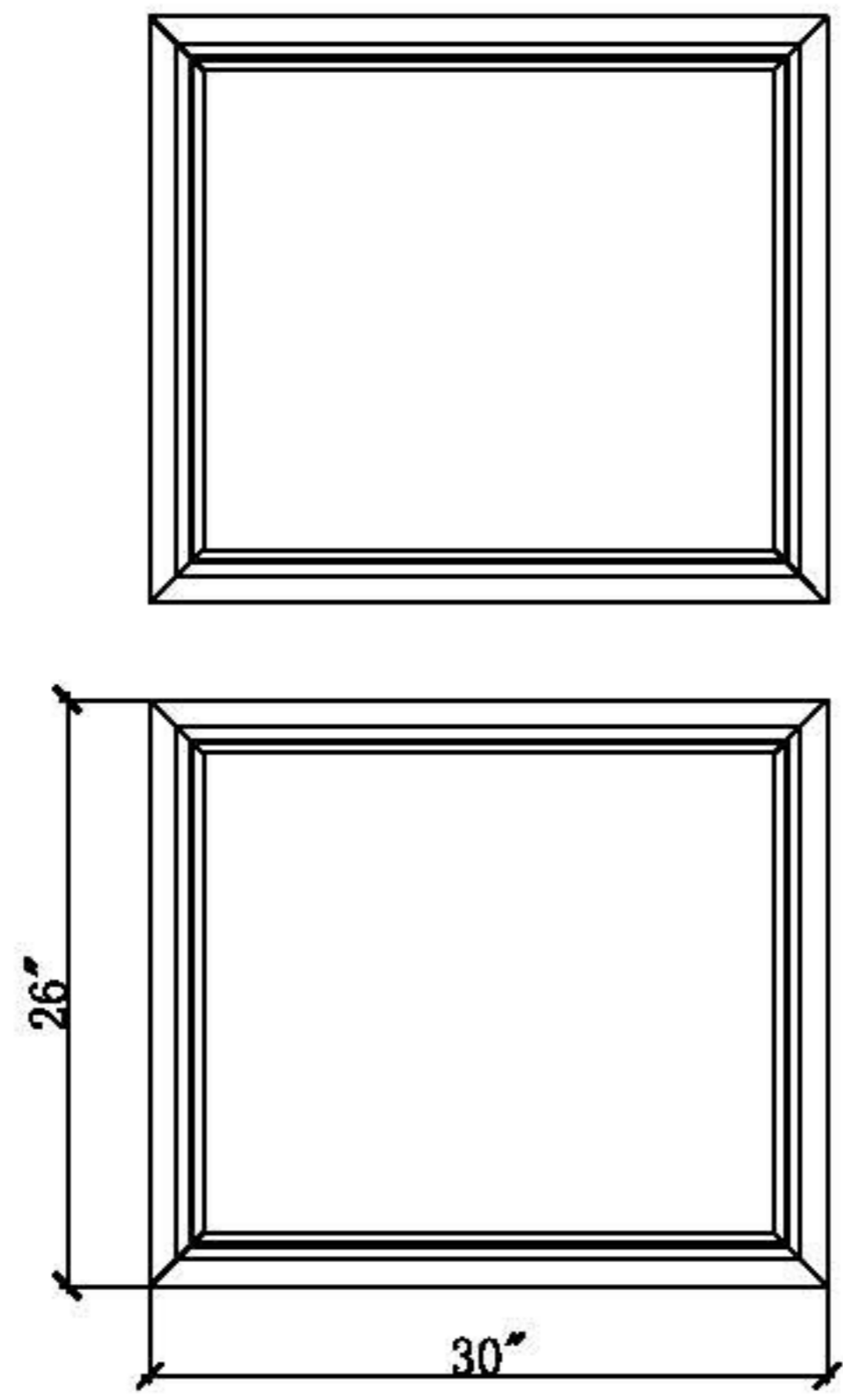
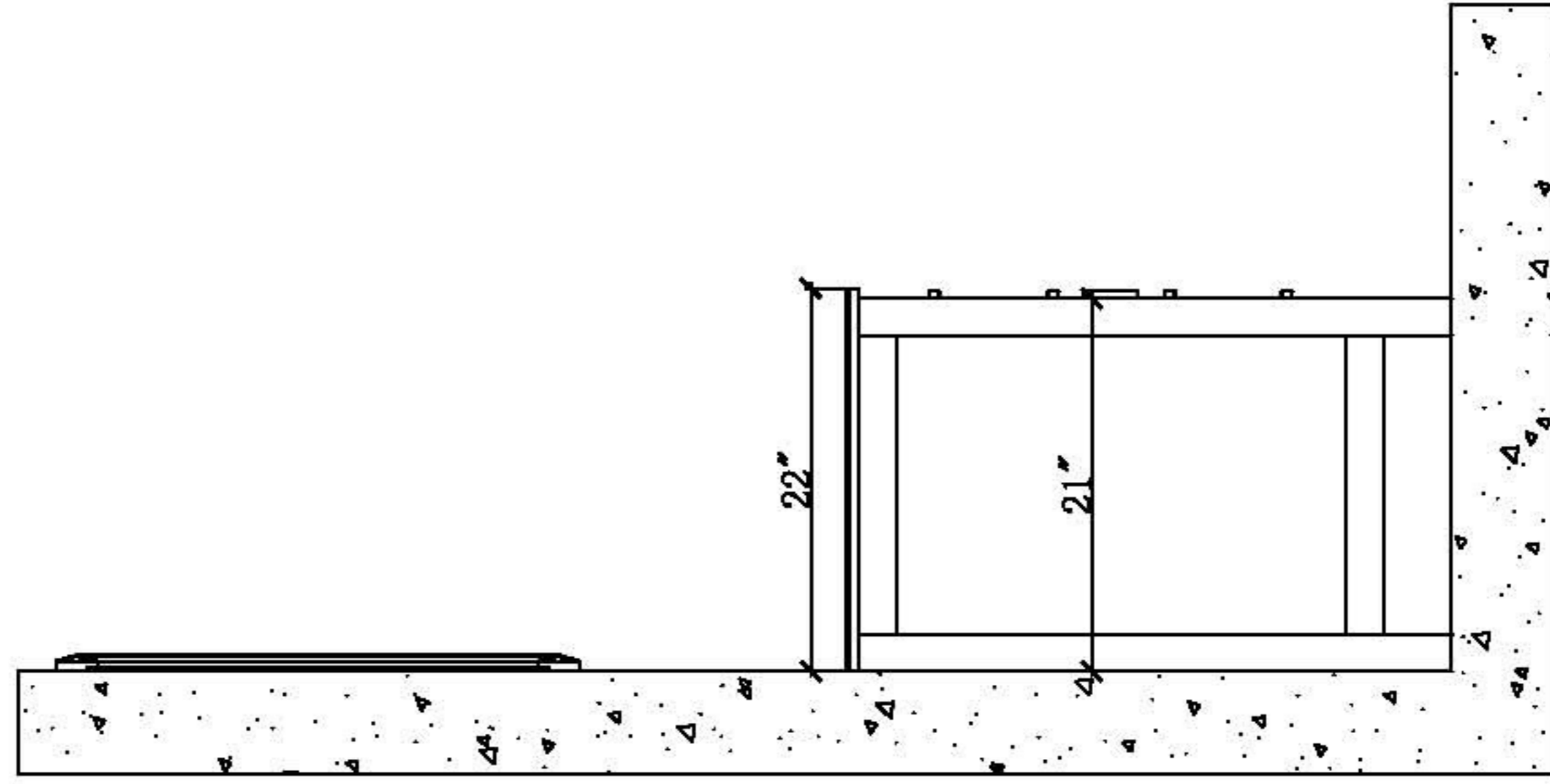


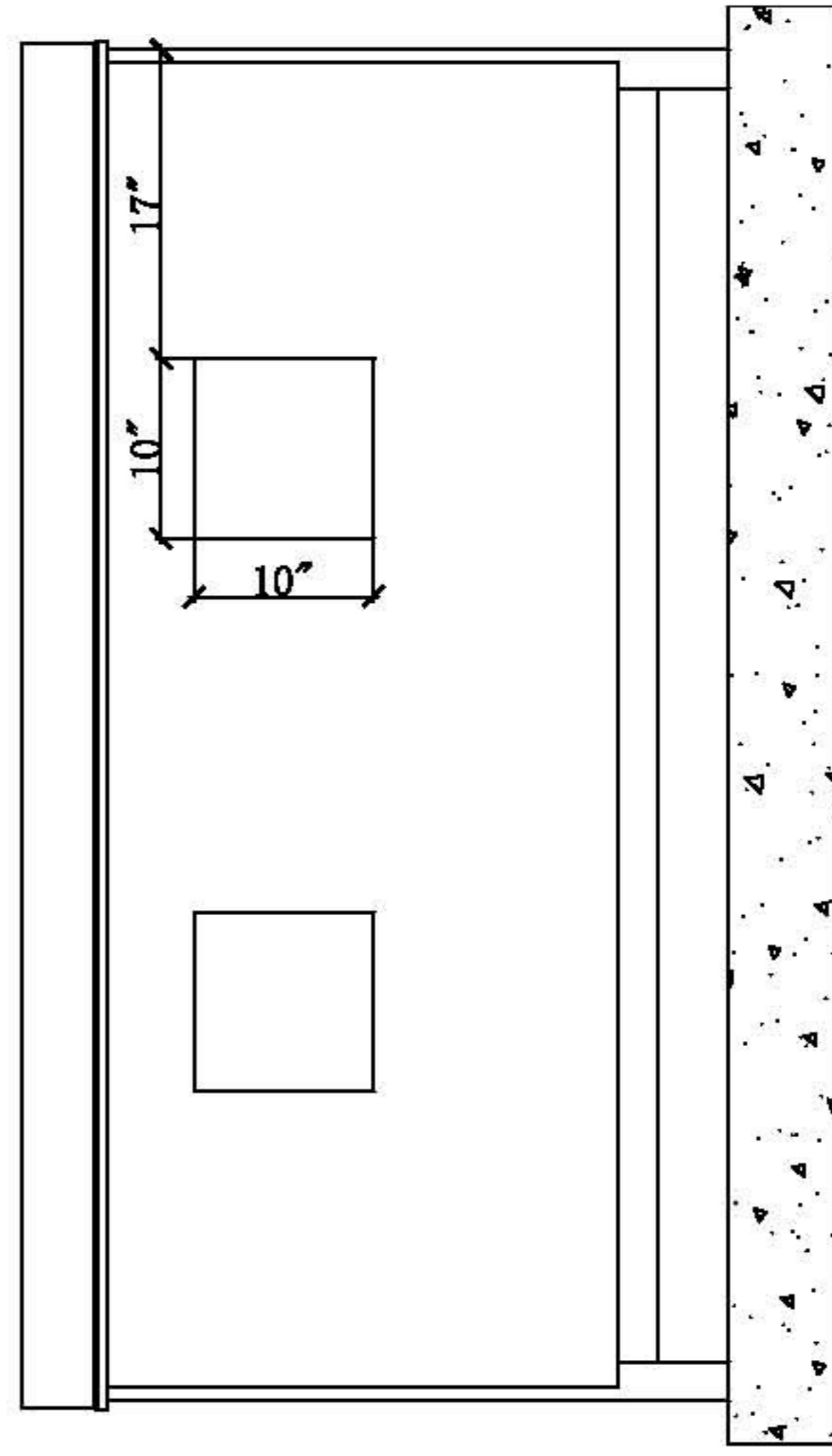
Plan View



Front View

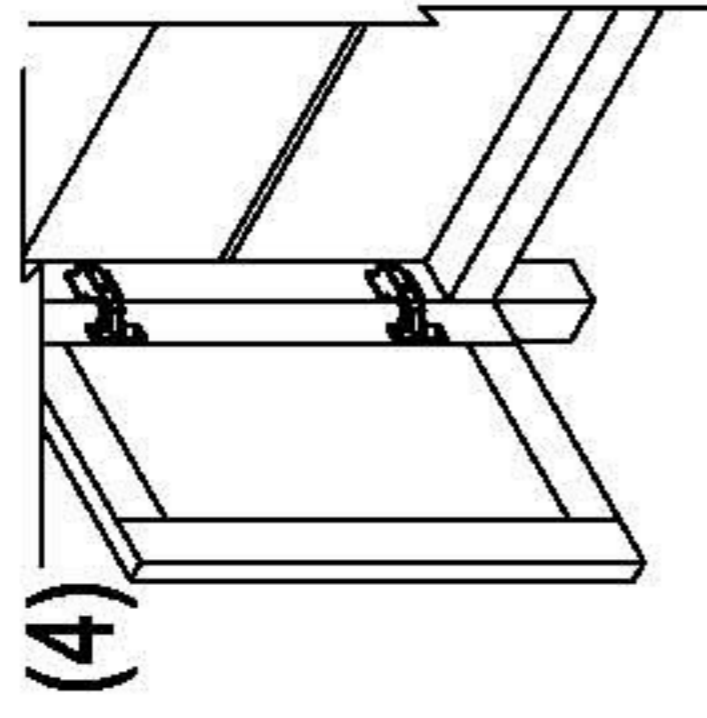
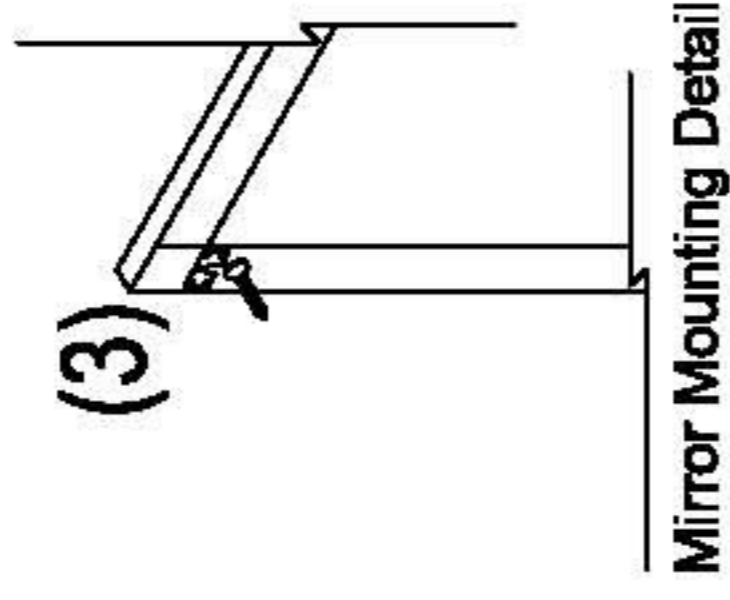
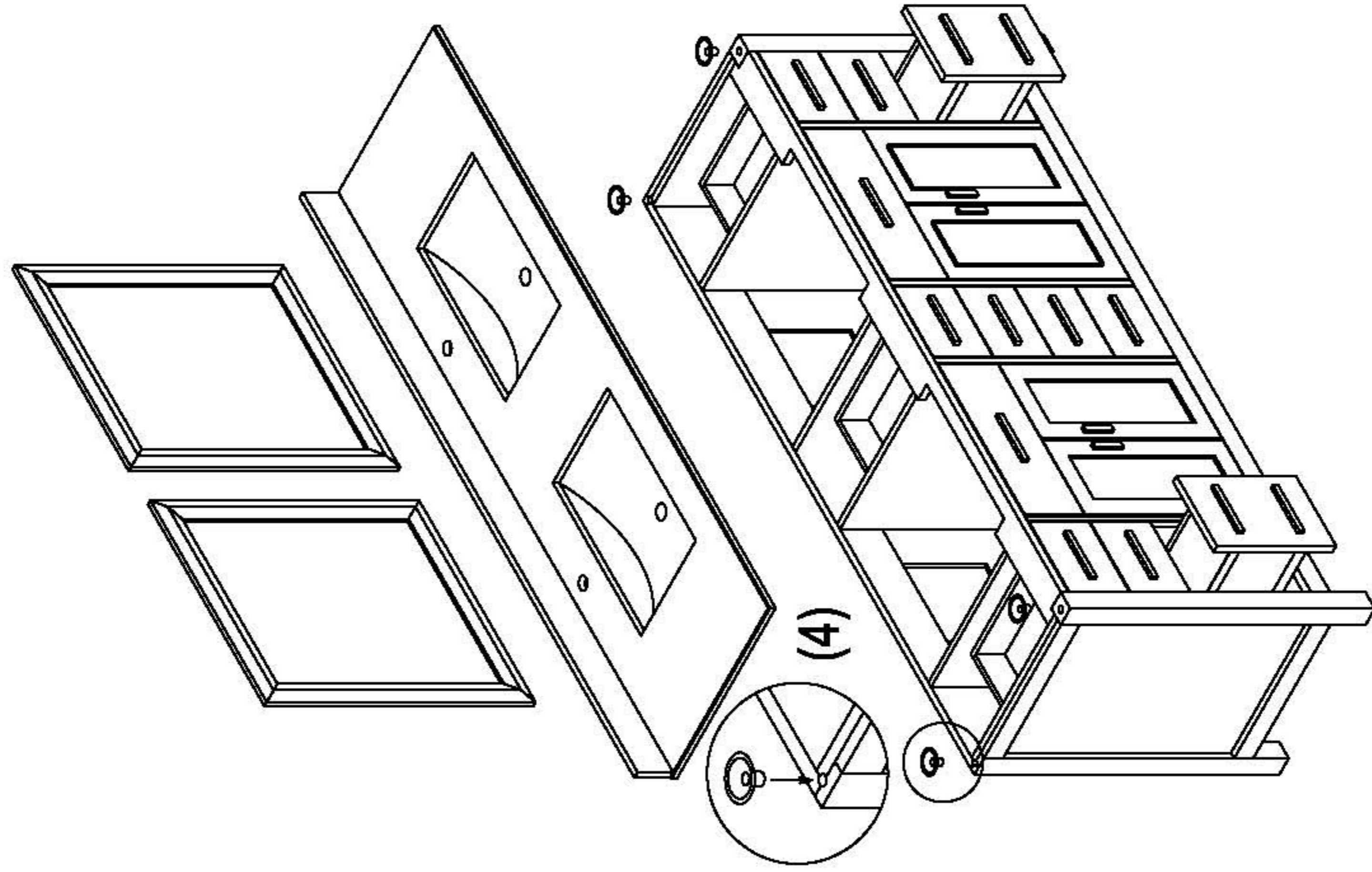


Left Elevation



Rear Elevation

We reserve the right to change the dimensions without notice. We recommend you rough-in the supply-lines and drain after receiving the unit.

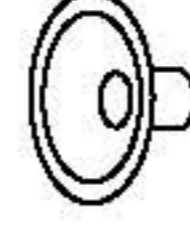


ASSEMBLY

- (1) Install adjustable feet and level vanity once in final position.
- (2) Remove all handles that are fixed on the inside of the vanity and re-fit them on the outside of the vanity. See *figure*

- (3) Center the countertop on the vanity.

- (4) Adhere countertop to vanity with a bead of silicone. (optional: If suction cups [4x] are present, install them in the corresponding holes on the vanity top) See *figure*.



- (5) Door may become misaligned during transportation. Hinges can be adjusted via the adjustment screws. A qualified tradesperson is recommended to achieve the best results.

CAUTION
COMPONENTS ARE HEAVY AND MAY REQUIRE TWO PEOPLE TO LIFT. DO NOT STAND OR SIT ON VANITY UNIT

USE OF SHARP TOOLS MAY DAMAGE VANITY, PLEASE EXERCISE CARE WHEN REMOVING PACKAGING MATERIALS.

PLUMBING FIXTURE MUST BE INSTALLED BY A QUALIFIED PLUMBER AND IN COMPLIANCE WITH YOUR LOCAL BUILDING CODES.

