

CAUTION
COMPONENTS ARE HEAVY AND MAY
REQUIRE TWO PEOPLE
TO LIFT. DO NOT STAND OR SIT ON
VANITY UNIT

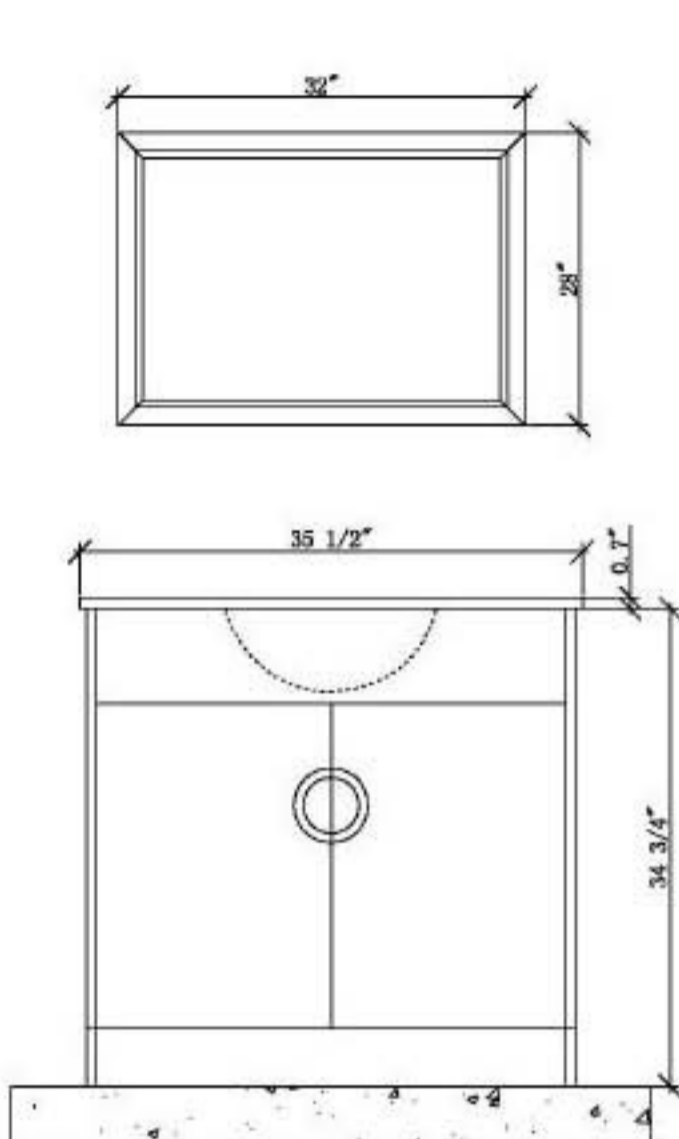
USE OF SHARP TOOLS MAY DAMAGE
VANITY, PLEASE EXERCISE CARE WHEN
REMOVING PACKAGING MATERIALS.

PLUMBING FIXTURE MUST BE
INSTALLED BY A QUALIFIED PLUMBER
AND IN COMPLIANCE WITH YOUR LOCAL
BUILDING CODES.

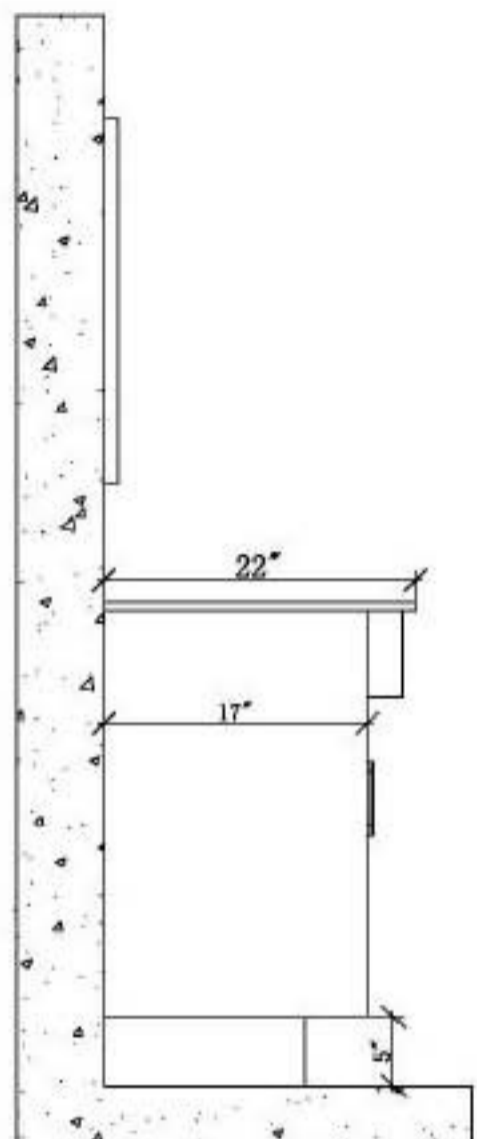


ASSEMBLY

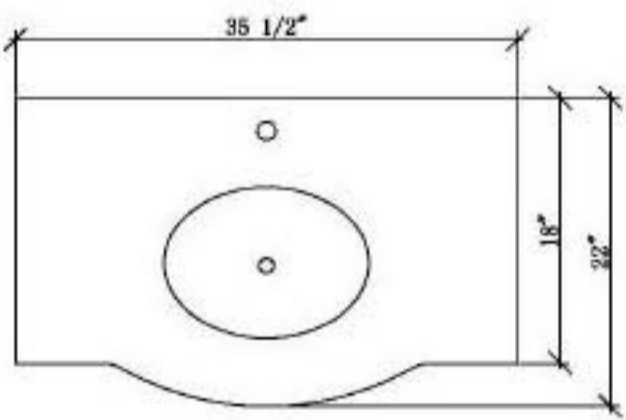
- (1) Install adjustable feet and level vanity once in final position.
- (2) Center the countertop on the vanity.
- (3) Adhere countertop to vanity with a bead of silicone. (optional: If suction cups [4x] are present, install them in the corresponding holes on the vanity top) *See figure.*
- (4) Door may become misaligned during transportation. Hinges can be adjusted via the adjustment screws. A qualified tradesperson is recommended to achieve the best results.



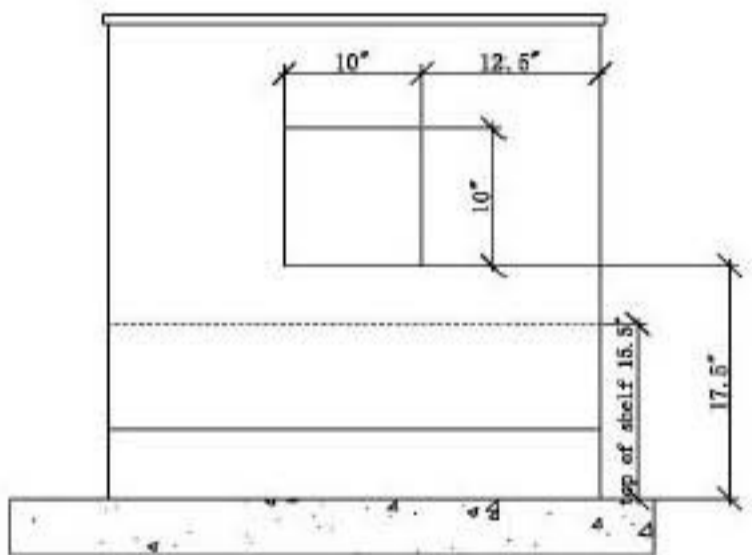
Front View



Left Elevation



Plan View



Rear Elevation

We reserve the right to change the dimensions without notice.
 We recommend you use your actual unit for rough-in the supply-lines and drain.