


CAUTION
 COMPONENTS ARE HEAVY AND MAY
 REQUIRE TWO PEOPLE
 TO LIFT. DO NOT STAND OR SIT ON
 VANITY UNIT

USE OF SHARP TOOLS MAY DAMAGE
 VANITY, PLEASE EXERCISE CARE WHEN
 REMOVING PACKAGING MATERIALS.

PLUMBING FIXTURE MUST BE
 INSTALLED BY A QUALIFIED PLUMBER
 AND IN COMPLIANCE WITH YOUR LOCAL
 BUILDING CODES.

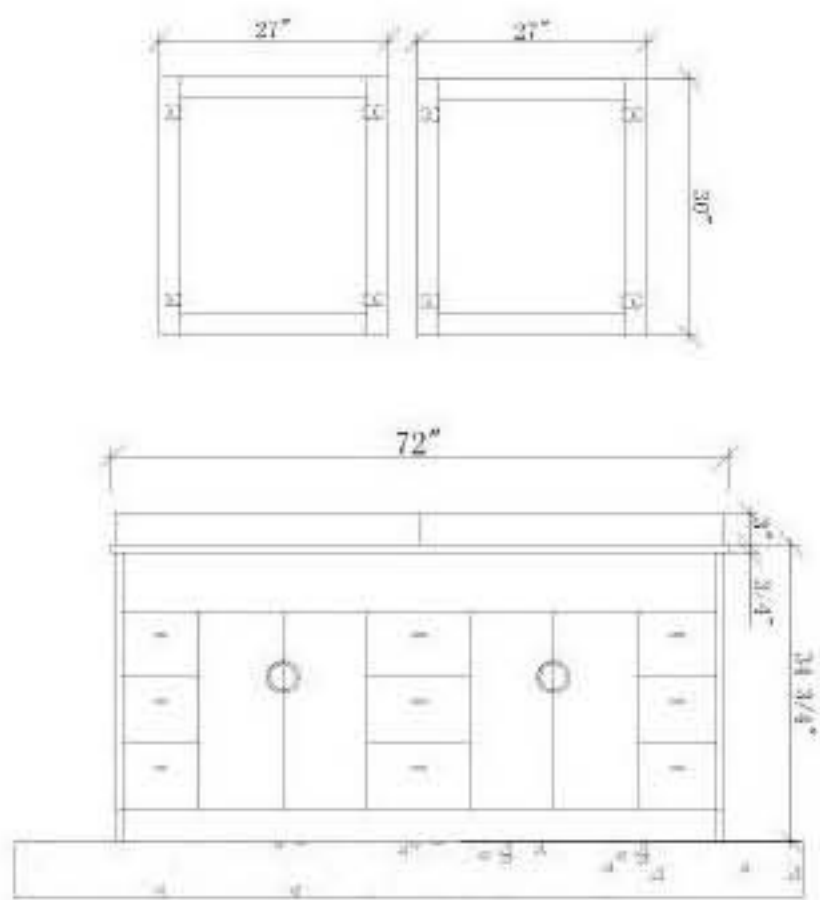


ASSEMBLY

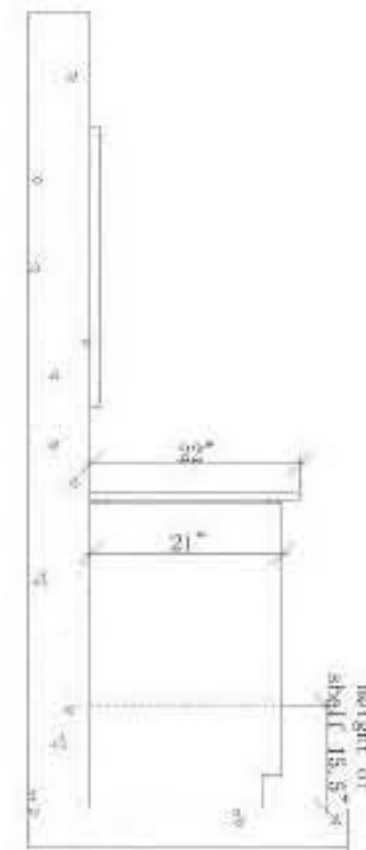
- (1) Install adjustable feet and level vanity once in final position.
- (2) Center the countertop on the vanity.
- (3) Adhere countertop to vanity with a bead of silicone. (optional: If suction cups [4x] are present, install them in the corresponding holes on the vanity top) *See figure.* 
- (4) Door may become misaligned during transportation. Hinges can be adjusted via the adjustment screws. A qualified tradesperson is recommended to achieve the best results.

INSTALLATION GUIDE (ZOE DOUBLE)

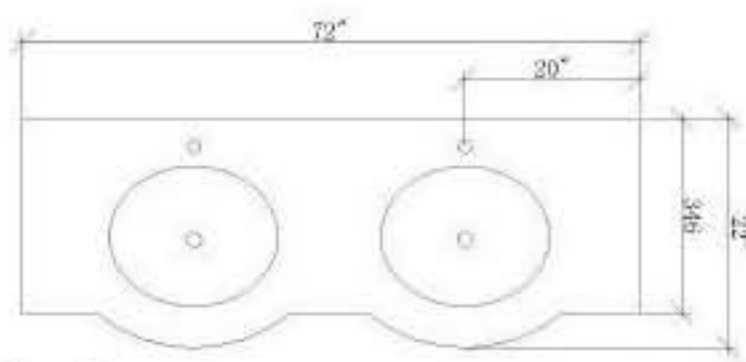
We reserve the right to change the dimensions without notice.
We recommend you rough-in the supply-lines and drain after receiving the unit.



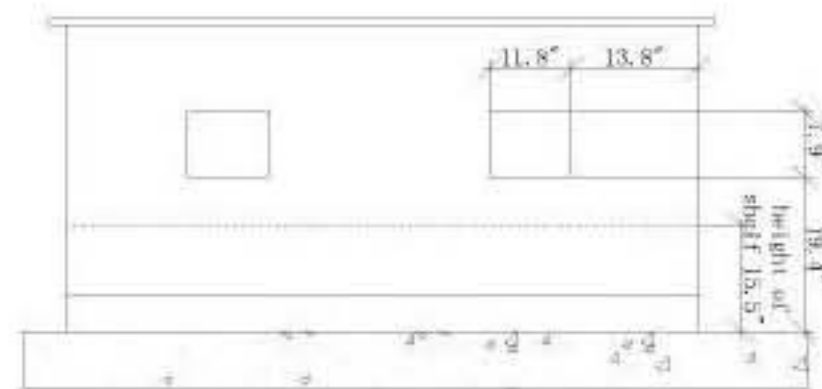
Front View



Left Elevation



Plan View



Rear Elevation

Marble / Granite Care

The best method for cleaning marble is to use a clean terry cloth and lukewarm water.

If something does spill on the marble, wipe it up as soon as possible for the very best results.

We recommend re-sealing your stone approximately every 18 months with StoneSpecific penetrating sealers. These products can be found at The Home Depot nationwide



STONE § SPECIFIC™